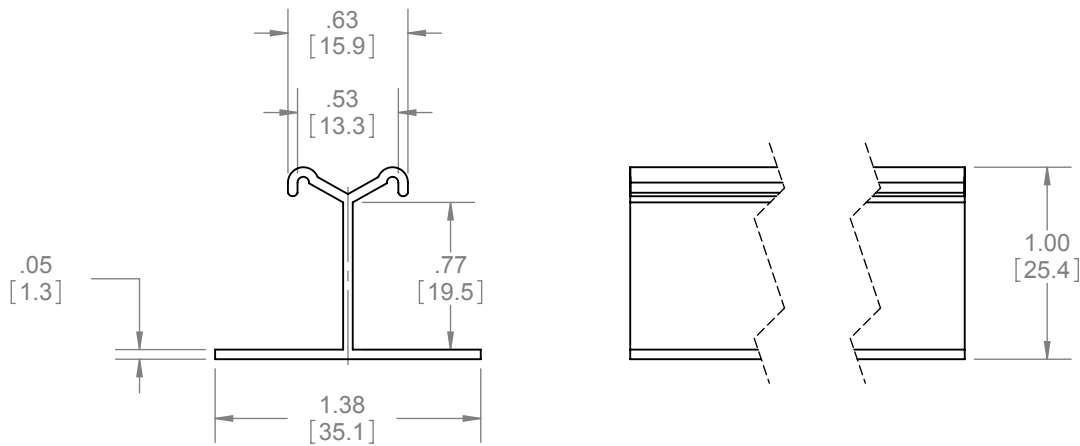
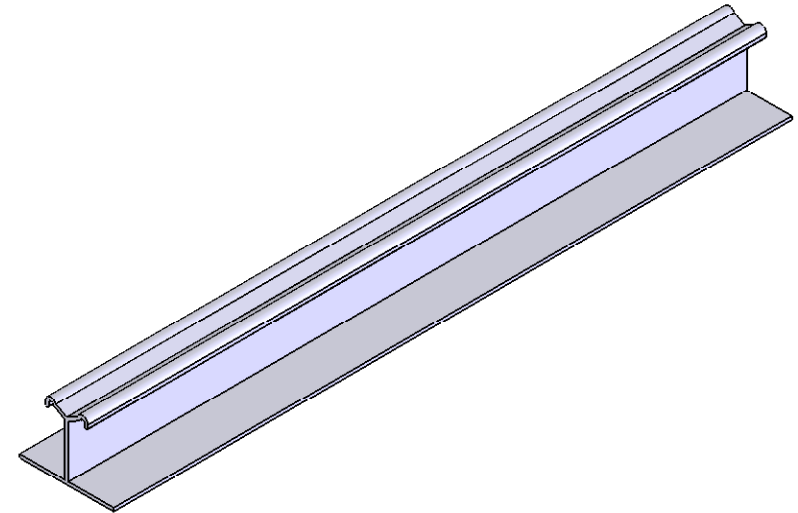


REVISIONS		
REV.	DESCRIPTION	DATE
01	NEW DRAWING FOR WEB	3/20/2008



NOTES:
 - MAX DOOR WEIGHT 125LBS.
 - JUMP PROOF V-SHAPED RAILS
 - MOUNTING HOLES ARE PRE-PUNCHED FOR EASE OF INSTALLATION

LENGTH:
 - 46-7/8" (1191mm) TO 144" (3657mm)



PROPRIETARY & CONFIDENTIAL
 THE INFORMATION CONTAINED IN THIS DRAWING IS THE SOLE PROPERTY OF HAGER COMPANIES. ANY REPRODUCTION IN PART OR AS A WHOLE WITHOUT THE WRITTEN PERMISSION OF HAGER COMPANIES IS PROHIBITED.

HAGER RESERVES THE RIGHT TO MAKE DESIGN CHANGES WITHOUT NOTICE. CALL HAGER ENGINEERING AT 1-800-325-9995 FOR THE LATEST REVISION DATE OF TEMPLATE.

MATERIAL	ALUMINUM	DRAWN	NJANSEN	12/12/2007
		ENG. APPR.	M MCRAE	3/20/2008
FINISH	CLEAR	Q.A.		
DO NOT SCALE DRAWING	TOLERANCES:			
	FRACTIONAL: $\pm 0.015"$			
	ANGULAR: MACH: $\pm 1^\circ$ BEND: $\pm 1^\circ$ TWO PLACE DECIMAL: $\pm 0.01"$ THREE PLACE DECIMAL: $\pm 0.004"$			

9701
HEAVY DUTY ALUMINUM I-BEAM TRACK

SIZE	DWG. NO.	REV.
A	S-SD00033	01
SCALE: 1:4	WEIGHT: 0.15	SHEET 1 OF 1